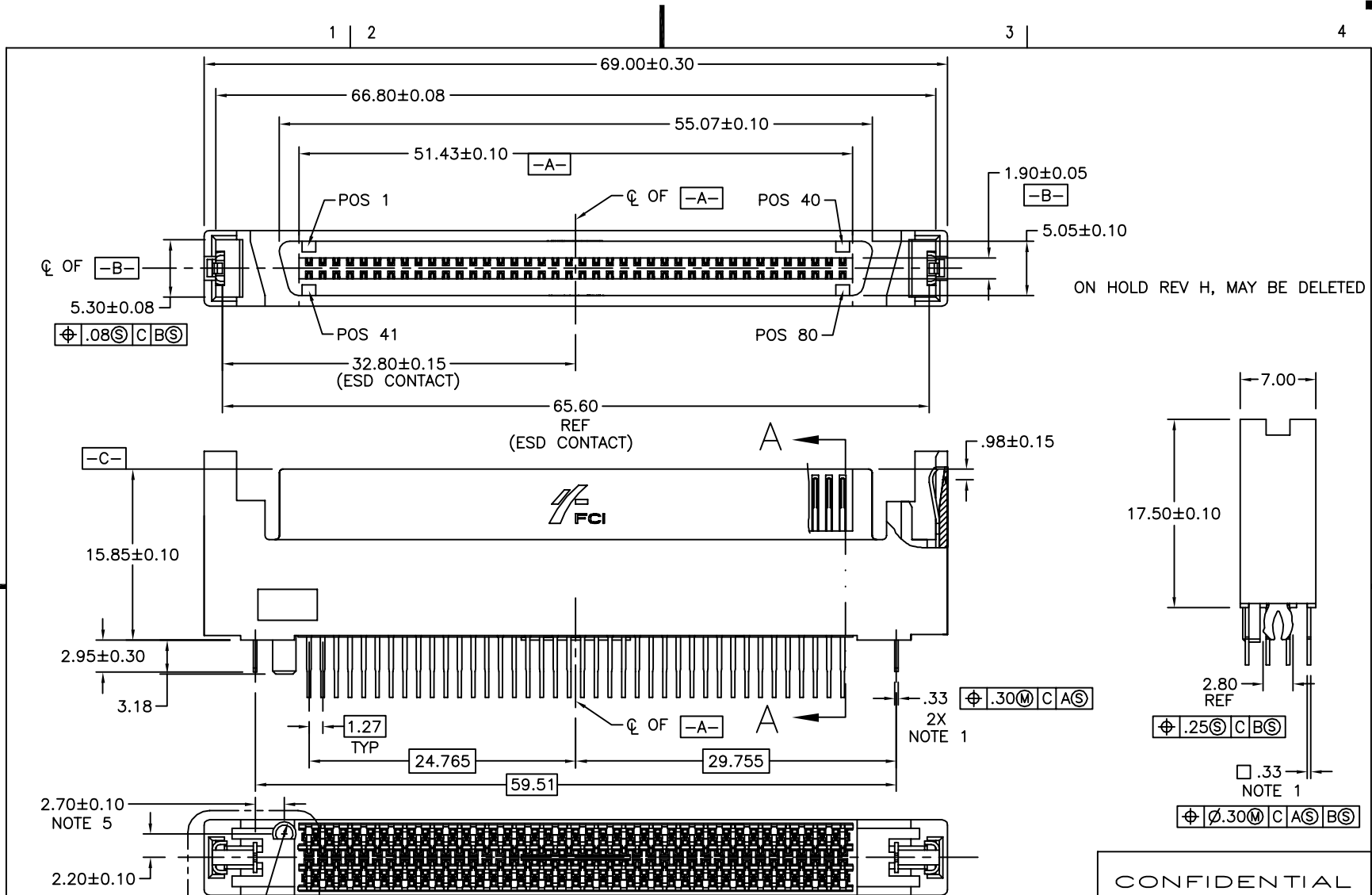


Tous droits strictement reserves. Reproduction ou communication a des tiers interdite sous quelque forme que ce soit sans autorisation ecrite du proprietaire. Propriete de c FCI. Droits de reproduction FCI.

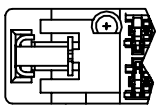
All rights strictly reserved. Reproduction or issue to third parties in any form whatever is not permitted without written authority from the proprietor. Property of FCI. Copyright FCI.



ON HOLD REV H, MAY BE DELETED

CONFIDENTIAL

DETAIL B
 Ø2.20
 POLARIZATION PEG
 (SEE CHART)
 NOTE 5



SHORTENED STANDOFF
 ON 72436-XXXS AND
 OPTION DESIGN FOR 72436-XXXLF

mat'l. code				tolerances unless otherwise specified				CUSTOMER COPY	
ltr	ecn no	dr	date	linear	.X ±.3	projection			
C	V00523	EPK	3/23/00		.XX ±.13	MM			
D	V11559	LSS	5/15/01	angles	.XXX ±.051	scale	title SCA-2 & FIBER CHANNEL 80 POS. EXT. HT. RECEPT. ASS'Y product family SCA-2 size dwg no A 72436 sheet 1 of 3		
E	V20316	MEM	2/11/02		0° ±2'	2:1			
F	S04-0012	GLL	1/26/04	dr	M. FETROW	9/24/96			
G	S04-0250	GLL	1/22/04	enrg	A. RAISTRICK	9/24/96			
H	S04-0275	GLL	12/23/04	chr	GL LOO	1/26/04	cage code 22526		
				appd	JOEY NG	1/26/04			
sheet index	revision sheet	H	H	H					
		1	2	3					

ACAD

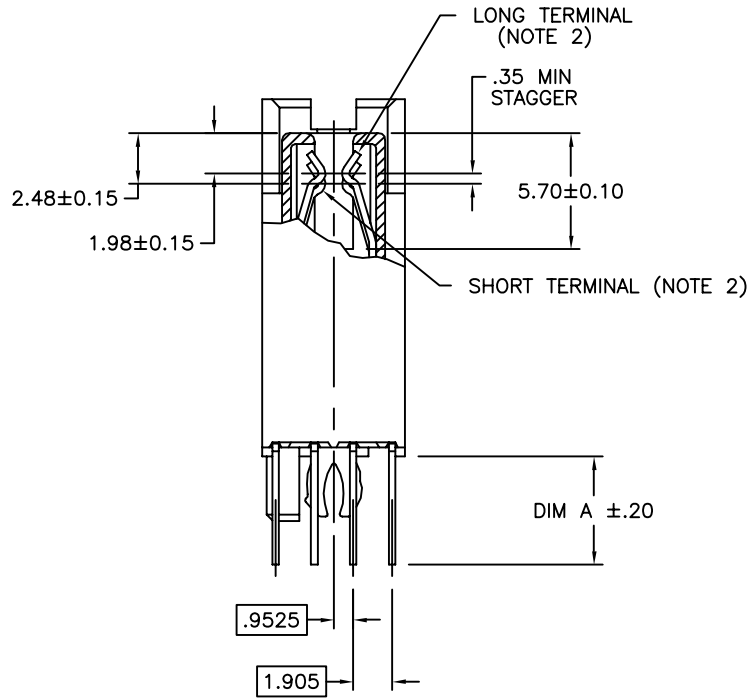
PDM: Rev:H

STATUS:Released

Printed: Mar 14, 2007

Tous droits strictement reserves. Reproduction ou communication a des tiers interdite sous quelque forme que ce soit sans autorisation ecrite du proprietaire. Propriete de c FCI. Droits de reproduction FCI.

All rights strictly reserved. Reproduction or issue to third parties in any form whatever is not permitted without written authority from the proprietor. Property of FCI. Copyright FCI.



SECTION A-A

CONFIDENTIAL

mat'l. code		tolerances unless otherwise specified		CUSTOMER COPY		www.fciconnect.com	
ltr	ecn no	dr	date	linear	.X ±.3	projection	
H					.XX ±.13		
					.XXX ±.051		
				angles	0° ±2°	MM scale 3:1	title SCA-2 & FIBER CHANNEL 80 POS. EXT. HT. RECEPT. ASS'Y product family SCA-2 size dwg no A 72436 code - sheet 2 of 3
			dr	M. FETROW	9/24/96		
			enr	A. RAISTRICK	9/24/96		
			chr	GL LOO	1/26/04		
			appd	JOEY NG	1/26/04		
sheet index	revision sheet	1					

cage code 22526

ACAD

PDM: Rev:H

STATUS:Released

Printed: Mar 14, 2007

Tous droits strictement reserves. Reproduction ou communication a des tiers interdite sous quelque forme que ce soit sans autorisation écrite du propriétaire. Propriete de c FCI. Droits de reproduction FCI.

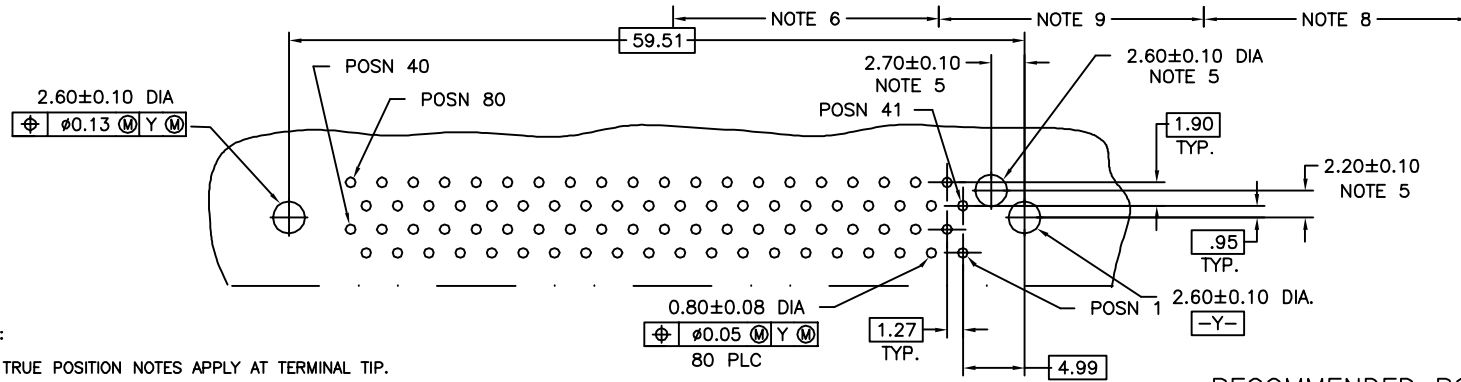
All rights strictly reserved. Reproduction or issue to third parties in any form whatever is not permitted without written authority from the proprietor. Property of FCI. Copyright FCI.

1 | 2

3

4

PRODUCT NO. SEE NOTE 7	"A" DIM	POLARIZATION PEG	PLATING	RECOMMENDED P.C. BOARD THICKNESS	PRODUCT NO.	PLATING	PRODUCT NO.	PLATING	PRODUCT NO.	PLATING
72436-001	2.79	YES	NOTE 4	1.57mm (0.062")	72436-101	NOTE 6	72436-001LF	NOTE 9	72436-201LF	NOTE 8
-001S					-101S		-201LF			
-002					-102		-202LF			
-002S	-102S									
-003	3.18	YES		2.36mm (0.093")	-103		72436-003LF		72436-203LF	
-003S				-103S						
-004				-104	-204LF					
-004S	3.18	NO		2.36mm (0.093")	-104S					
-005	4.06	YES		3.18mm (0.125")	-105		-005LF		-205LF	
-005S			-105S							
-006			-106	-206LF						
72436-006S	4.06	NO		72436-106S						



NOTES :

- TRUE POSITION NOTES APPLY AT TERMINAL TIP.
- CONTACTS IN POSITIONS 2 THRU 35, 44 AND 47 THRU 74 ARE SHORT TERMINALS. CONTACTS IN POSITIONS 1, 36 THRU 43, 45, 46, AND 75 THRU 80 ARE LONG TERMINALS.
- RAW MATERIALS:
HOUSING: HTN, UL94V-0, COLOR: BLACK
CONTACTS: PHOSPHOR-BRONZE
- CONTACT PLATING: 30u" (0.76um) MIN. GXT PLATING OVER 50u" (1.27um) NICKEL MIN. UNDERPLATE IN CONTACT AREA. 100u" (2.54um) MIN. TIN-LEAD PLATING OVER 50u" (1.27um) MIN. NICKEL UNDERPLATE IN P.C. BOARD LEG AREA. 50u" (1.27um) MIN. NICKEL UNDERPLATE OVER REMAINING AREA.
- DIMENSIONS DO NOT APPLY TO CONNECTOR STYLES WITHOUT POLARIZATION PEG. (SEE CHART)
- CONTACT PLATING: 30u" (0.76um) MIN. GOLD PLATING OVER 50u" (1.27um) NICKEL MIN. UNDERPLATE IN CONTACT AREA. 100u" (2.54um) MIN. TIN-LEAD PLATING OVER 50u" (1.27um) MIN. NICKEL UNDERPLATE IN P.C.B. LEG AREA. 50u" (1.27um) MIN NICKEL UNDERPLATE OVER REMAINING AREA.
- PART NUMBERS WITH "S" SUFFIX ARE MANUFACTURED WITH BRIGHT TIN-LEAD FINISH ON THE TERMINAL TAIL SECTION. PART NUMBERS WITHOUT AN END SUFFIX ARE MANUFACTURED WITH MATTE TIN-LEAD FINISH.
- CONTACT PLATING: 30u" (0.76um) GOLD PLATING OVER 50u" (1.27um) NICKEL UNDERPLATE IN CONTACT AREA. 100u" (2.54um) - 200u" (5.08um) TIN PLATING OVER 50u" (1.27um) - 100u" (2.54um) NICKEL UNDERPLATE IN P.C. BOARD LEG AREA. 50u" (1.27um) NICKEL UNDERPLATE OVER REMAINING AREA.
- CONTACT PLATING: 30u" (0.76um) GXT PLATING OVER 50u" (1.27um) NICKEL UNDERPLATE IN CONTACT AREA. 100u" (2.54um) - 200u" (5.08um) TIN PLATING OVER 50u" (1.27um) NICKEL UNDERPLATE IN P.C. BOARD LEG AREA. 50u" (1.27um) NICKEL UNDERPLATE OVER REMAINING AREA.
- THE HOUSING WILL WITHSTAND EXPOSURE TO 260° C PEAK TEMPERATURE FOR 10 SECONDS IN A WAVE SOLDER APPLICATION WITH A 1.57MM THICK CIRCUIT BOARD.
- THIS PRODUCT MEETS EUROPEAN UNION DIRECTIVES AND OTHER COUNTRY REGULATIONS AS DESCRIBED IN GS-22-008.
- PART NUMBERS ENDING IN "LF" MEANS FOR NOTE 11 LEAD FREE IDENTIFICATION. P/N XXXXX-2XXLF IS EQUIVALENT TO PREVIOUS P/N XXXXX-2XX

RECOMMENDED PC BOARD MOUNTING DIMENSIONS COMPONENT SIDE

CONFIDENTIAL

mat'l. code		tolerances unless otherwise specified		CUSTOMER COPY		 www.fciconnect.com	
ltr	ecn no	dr	date	linear	.X ±.3	projection	title
H					.XX ±.13	 MM	SCA-2 & FIBER CHANNEL 80 POS. EXT. HT. RECEPT. ASS'Y
				angles	.XXX ±.051		product family
				dr	0° ±2'	size	dwg no
				enr		A	72436
				chr		scale	sheet
				appd		2:1	3 of 3
sheet index	revision sheet	1					

cage code 22526

1 | 2

3

4

ACAD